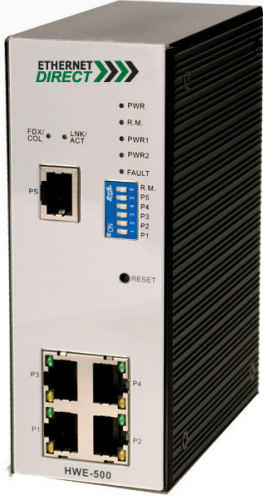


**HWE-500  
HWE-500E**

**Industrial Web-managed Ethernet Switch**



**Features**

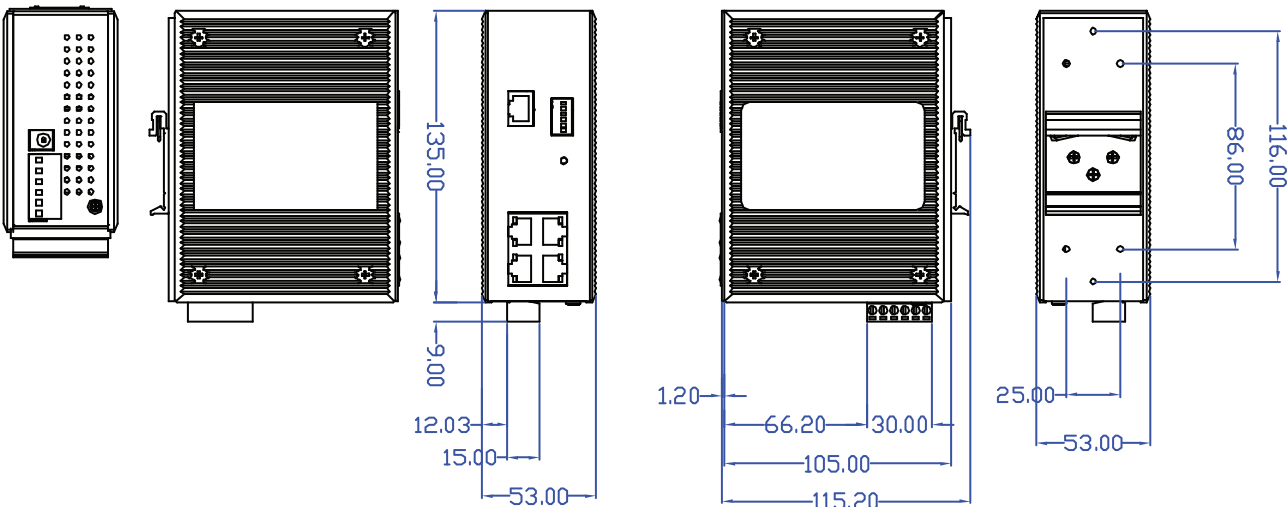
- |  |   |
|--|---|
| <p><b>High Performance Network Switching Technology</b></p> <ul style="list-style-type: none"> <li>✓ Complies with IEEE 802.3, IEEE 802.3u, IEEE 802.3X, IEEE 802.1p, IEEE 802.1q</li> <li>✓ Provides 5 x 10/100 Mbps Ethernet ports with RJ-45 connector</li> <li>✓ RJ-45 Port support auto MDI/MDI-X crossover</li> <li>✓ Provides broadcast storm protection</li> <li>✓ Redundant X-Ring recovery time &lt; 300 ms on full load</li> <li>✓ IGMP snooping for filtering multicast traffic</li> <li>✓ QoS / ToS to increase network packet determinism</li> <li>✓ VLAN for easy network planning</li> <li>✓ Online Port Mirroring for online debugging</li> <li>✓ IP security to define access levels for protection</li> <li>✓ Supports Port based and Tag VLAN</li> </ul> | <p><b>Robust Industrial Design</b></p> <ul style="list-style-type: none"> <li>✓ Robust Aluminum case complying to IP-31 housing standard</li> <li>✓ Supports operating temperature -10 to 70°C &amp; Extended temperature -40 to 80°C</li> <li>✓ DIN-Rail, Panel mount or desktop installation</li> <li>✓ High level of immunity to electromagnetic interference &amp; power supply surges typically found in industrial plant environments or external curb side enclosures</li> </ul> <p><b>Reliable Power Design</b></p> <ul style="list-style-type: none"> <li>✓ Wide range redundant power design</li> <li>✓ Equipped with redundant power inputs</li> <li>✓ Supports 12 to 48VDC redundant power with polarity reverse protection</li> <li>✓ Terminal block present for master and slave power</li> </ul> |
|--|---|



**Overview**

The Husky series HWE-500 is a highly reliable and fault-tolerant Industrial 5-port Web-managed Ethernet Switch. It has 5 10/100TX RJ45 ports that support IEEE 802.3/802.3u/802.3x with 10/100M, full/half duplex, and MDI/MDI-X auto-sensing. With its high performance switching device, HWE-500 provides redundant self-recovery mechanism in less than 300ms on full load which allows you to establish a redundant Ethernet network to build a back-up ring topology. With a web-configuration interface, HWE-500 offers powerful features such as VLAN, IGMP, Quality of service, Port mirroring and IP security. The HWE-500 is equipped with a terminal block to provide dual power inputs with reverse polarity protection. Its IP-31 housing protection, wide operating temperature of -10 to 70°C and DIN-Rail mounting is suitable for an industrial environment. The E version extends the temperature rating to -40 to 80°C. The HWE-500 is a plug-and-play solution for your Industrial Ethernet applications.

**Dimensions**



## Hardware Specifications

### Interface

<b>RJ-45 Ports</b>	5 10/100Base-TX auto-negotiation speed, Full/Half duplex, auto MDI/MDI-X
<b>LEDs</b>	Per port : Link/Activity (Green), Full duplex/Collision (Green) Per unit: Power x 3 (Green), Fault (Red), R.M. (Orange)
<b>DIP Switch</b>	Master of X-ring, Port break alarm
<b>Power Input</b>	VDC 12-48V Redundant power with polarity reverse protect function and removable terminal block
<b>Power Protection</b>	ESD (Ethernet) : Present Surge : 1500VDC Power Reverse Polarity: Present
<b>Power Consumption</b>	3.5 watts
<b>Dimensions</b>	IP-31 standard, 54 mm (W) x 135 mm (H) x 105 mm (D)
<b>Installation</b>	DIN-Rail, panel mounting or desktop

### Environmental

<b>Operating Temperature</b>	Regular: -10 to 70°C Extended: -40 to 80°C
<b>Storage Temperature</b>	-40 to 85°C (-40 to 185°F)
<b>Operating Humidity</b>	5%~90% RH (Non-condensing)

## Technology Specifications

<b>Standard</b>	IEEE 802.3 10Base-T Ethernet IEEE 802.3u 100Base-TX Fast Ethernet IEEE802.3x Flow Control and Back-pressure IEEE 802.1p Class of service IEEE 802.1Q VLAN
<b>Network Media</b>	10Base-T: 2-pair UTP/STP Cat. 3, 4, 5 cable EIA/TIA-568 100-ohm (100m) 100Base-TX: 2-pair UTP/STP Cat. 5/5e cable EIA/TIA-568 100-ohm (100m)
<b>Protocol Technology</b>	CSMA/CD
<b>Switching Architecture</b>	Store and Forward

## Performance

<b>Data Transfer Rate</b>	14,880 pps for Ethernet port 148,800 pps for Fast Ethernet port
<b>MAC Address</b>	2K
<b>Memory Buffer</b>	1 Mbytes
<b>Back-plane</b>	1.6 Gbps
<b>Transfer Packet Size</b>	64 bytes to 1522 bytes with VLAN tag

## Regulatory Approvals

<b>EMI</b>	FCC Class A
<b>EMS</b>	EN6100-4-2 EN6100-4-3 EN6100-4-4 EN6100-4-5 EN6100-4-6 EN6100-4-8 EN6100-4-11
<b>Safety</b>	UL, cUL, CE/EN60950
<b>Shock</b>	IEC60068-2-27
<b>Vibration</b>	IEC60068-2-6
<b>Free Fall</b>	IEC60068-2-32
<b>Class 1 DIV 2</b>	Pending *
<b>DNV</b>	Pending *
<b>Environmental</b>	WEEE, RoHS
<b>MTBF</b>	325,000 hrs based on Mil-Hdbk-217F, GB
<b>Warranty</b>	5 years

## Management Specifications

<b>Redundancy</b>	Recovery time less than 300ms on full load Web interface management can activate X-ring protocol
<b>Configuration</b>	Web interface management Default button is available to restore default settings
<b>VLAN</b>	Support Port based VLAN and IEEE 802.1Q Tagged VLAN
<b>Quality of Service</b>	Hardware supports 4 queues per port
<b>Port Mirroring</b>	Online traffic monitoring on selected ports
<b>IP Security</b>	IP addresses are available to define access levels

### Ordering Information

<b>HWE-500</b>	Industrial 5-port Web-managed Ethernet Switch
<b>HWE-500E</b>	Industrial 5-port Web-managed Ethernet Switch, Extended Temperature -40 to 80 °C

\*Extended temperature products are produced to order

### Recommended Accessories

<b>DR-4524</b>	45W/2A DIN-Rail 24 VDC power supply
<b>DR-7524</b>	75W/3.2A DIN-Rail 24 VDC power supply
<b>DR-120-24</b>	120W/5A DIN-Rail 24 VDC power supply